

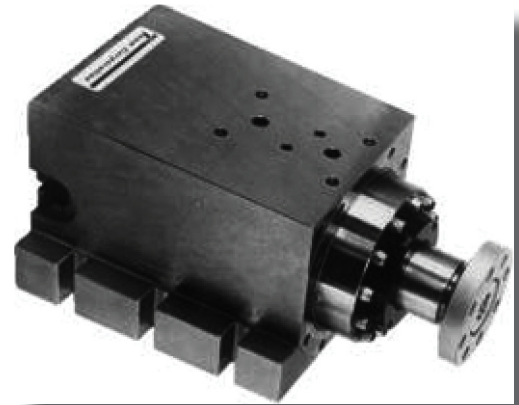
Team Corporation
11591 Watertank Road
Burlington, WA 98233
Tel: (360) 757-8601
Fax: (360) 757-4401
sales@teamcorporation.com
www.teamcorporation.com

Team Corporation UK Ltd
11 Old Ladies Court
High Street
Battle
East Sussex
TN33 0AH
United Kingdom
Tel: +44 (0) 1424 777004
Fax: +44 (0) 1424 777005
sales@teamcorporation.co.uk
service@teamcorporation.co.uk
www.teamcorporation.co.uk

50 & 60 Series Linear Actuators

Team Corporation manufactures a variety of actuator types and sizes for varying applications. Our most popular actuators are the 50 and 60 Series of linear actuators with rectangular bodies. Available in 2 and 4 inch strokes, the 50 and 60 Series actuators are produced in a range of dynamic force outputs from 2,000 to 50,000 lbf.

Team's 50 and 60 Series actuators have distinguished themselves in hundreds of varying applications under demanding operational conditions. They have demonstrated reliability and high performance in facilities around the world.



Features:

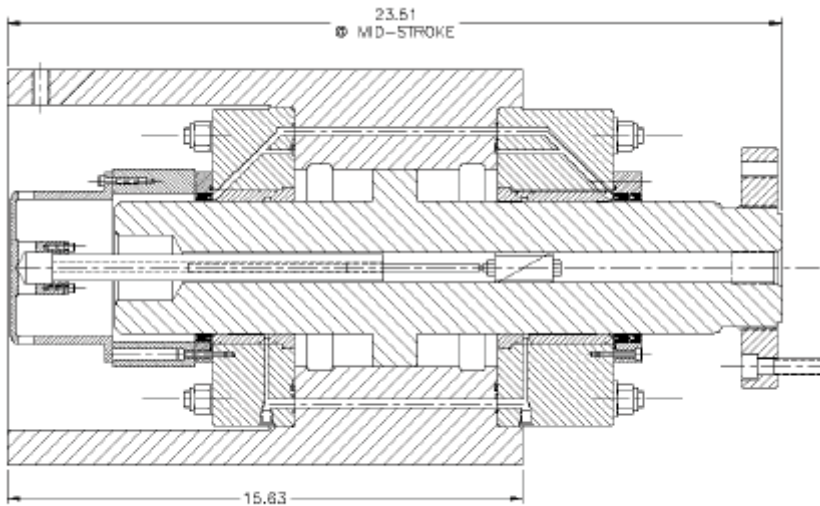
- One-piece, chrome plated piston rod for high strength and durability
- Hydrostatic rod support bearings for accurate, frictionless motion and high moment capacity
- Low pressure, low maintenance rod seals reduce maintenance and downtime
- Integral dashpots prevent damage to the actuator due to sudden stops
- Built-in LVDT displacement transducer
- Rectangular body mountable in either horizontal or vertical orientation for flexible applications

Applications:

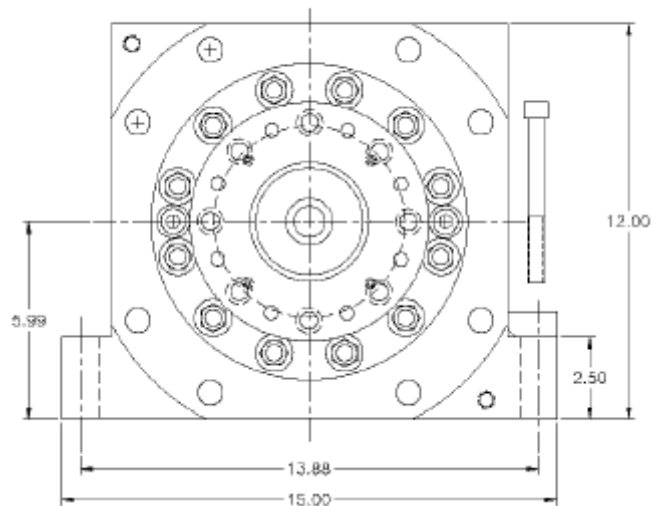
- Vertical and horizontal vibration test systems
- Multi-axis vibration test systems

Specifications

Actuator Model	Dynamic Stroke	Piston Weight	Dynamic Force Range	Moment Capacity
52 Series	2.0 in. (50.8 mm)	22 lbs (10 kg)	2,000 - 6,000 lbf (8.9 - 26.7 kN)	23,000 in-lbf (2.6 kN-m)
54 Series	4.0 in. (101.6 mm)	24 lbs (11 kg)	2,000 - 6,000 lbf (8.9 - 26.7 kN)	23,000 in-lbf (2.6 kN-m)
62 Series	2.0 in. (50.8 mm)	56 lbs (25 kg)	6,000 - 50,000 lbf (26.7 - 222 kN)	54,000 in-lbf (6.1 kN-m)
64 Series	4.0 in. (101.6 mm)	80 lbs (36 kg)	6,000 - 50,000 lbf (26.7 - 222 kN)	54,000 in-lbf (6.1 kN-m)



Cross Section View - Typical 64 Series Actuator



End View - Typical 64 Series Actuator